

Casolux Marine light

Marine light system

BORNHOLM 230

GB

IP67



Power
20 w

Efficiency
90 Lm/w

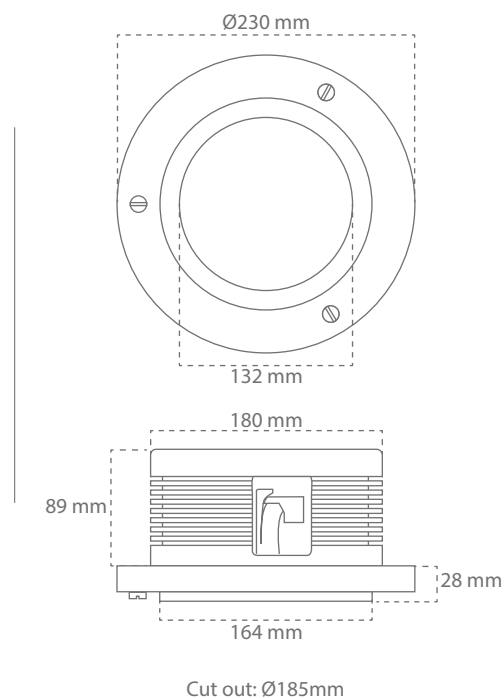
Lifetime
50.000 Hours
(70% Lumen maintenance)

Input
700mA

Material
AISI 316/
Aluminum



Stainless steel
Polished (SS-PO)



Product code	Lumen output	Beam	Power	CCT
BORNHOLM-230-SS-PO	1800 lm	120°	20 w	2700

Feature

- High power projector for marine light
- IP67 design with integral thermal management for long life
- High precision machining ensures perfect mechanical fit for long life
- Anodized aluminium heatsink ensures corrosion free product in damp environment

Material

- Front: Stainless steel
- Back: Anodised aluminium
- Frosted lens

Benefit

- High reliability
- Maintenance free

Application

- Marine light