

# Casolux Marine light

Marine light system

MAJA

GB

IP65



Power  
3,6 w

Efficiency  
56 Lm/w

Lifetime  
50.000 Hours  
(70% Lumen maintenance)

Input  
10-30 VDC

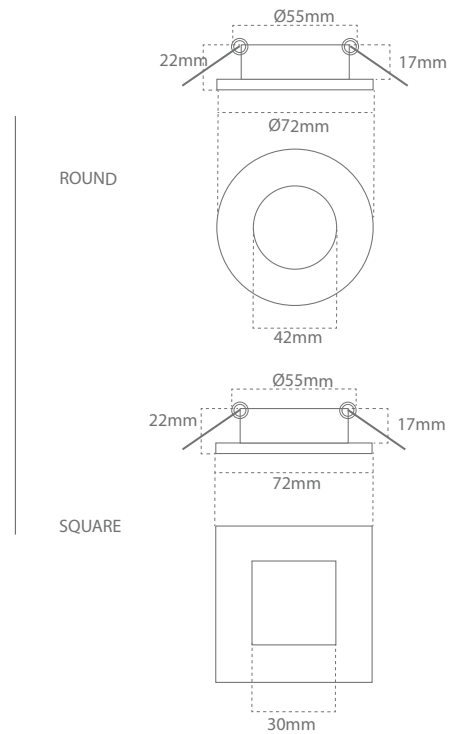
Material  
Stainless steel  
Aluminum



MAJA ROUND (SS)  
Stainless steel



MAJA SQUARE (SS)  
Stainless steel



MAJA ROUND (SS-WH)  
Stainless steel painted white



MAJA SQUARE (SS-W)  
Stainless steel painted white



MAJA ROUND W/COVER (SS)  
Rustfrit stål

Product code	Lumen output	Beam	Power	CCT	CRI
MAJA-ROUND-SS	204 lm	90°	3,6W	3000K	> 85
MAJA-ROUND-SS-WW/RED	204 lm	90°	3,6W / 1,8W RED	3000K / RED	> 85
MAJA-ROUND-SS-WH	204 lm	90°	3,6W	3000K	> 85
MAJA-ROUND-SS-WH-WW/RED	204 lm	90°	3,6W / 1,8W RED	3000K / RED	> 85
MAJA-SQUARE-SS	204 lm	85°	3,6W	3000K	> 85
MAJA-SQUARE-SS-WW/RED	204 lm	85°	3,6W / 1,8W RED	3000K / RED	> 85
MAJA-SQUARE-SS-WH	204 lm	85°	3,6W	3000K	> 85
MAJA-SQUARE-SS-WH-WW/RED	204 lm	85°	3,6W / 1,8W RED	3000K / RED	> 85

## Feature

- IP65 design with integral thermal management for long life
- High precision machining ensures perfect mechanical fit for long life
- Stainless steel ensures corrosion free product in damp environment
- PWM-dimmable
- Optional in Warm White 3000K with RED light

## Material

- SS: Stainless steel
- Aluminium

## Benefit

- High reliability
- Maintenance free

## Application

- Marine light