

Casolux Marine light

Marine light system

MALOU 82

GB

IP65



Power
3,3 - 4,5 w

Efficiency
75 -95 Lm/w

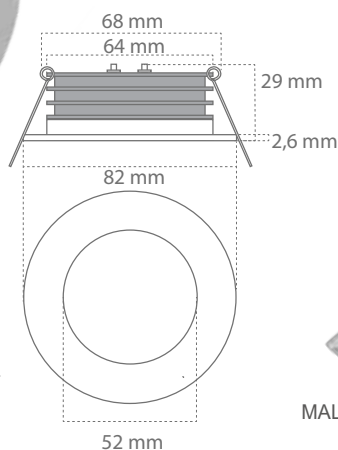
Lifetime
50.000 Hours
(70% Lumen maintenance)

Input
10-18 VDC
10-32 VDC

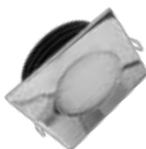
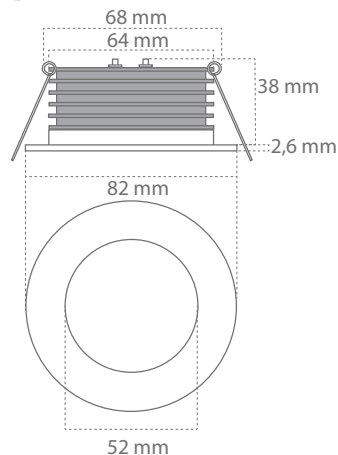
Material
Stainless steel
Aluminum



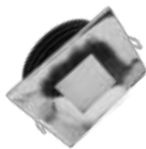
DL-MALOU-SS



MALOU-SS-10-32VDC



MALOU-SS-SQ-OVAL
FRAME



MALOU-SS-SQ-RECT
FRAME



Product code	Lm/w	Lumen	Beam	Volt	Power	CCT	CRI
DL-MALOU-SS-NDIM-3,3W	75	250	120°	10-18 VDC	3,3 w	3000 K	> 80
MALOU-SS-10-32VDC-WW	95	425	100°	10-32 VDC	4,5 w	3000 K	> 80
MALOU-SS-10-32VDC-WW-RED	95	342	100°	10-32 VDC	3,6 w / 0,6 w	3000 K / RED	> 80

Feature

- Stainless steel (316) / Anodized aluminum ensures corrosion free product in damp environment.
- High power projector for marine light
- IP65 design with integral thermal management for long life
- High precision machining ensures perfect mechanical fit for long life
- Also available with square Stainless steel front

Material

- Front: Aisi 316 stainless steel, mirror polished
- Back: Anodised aluminium

Benefit

- High reliability
- Maintenance free

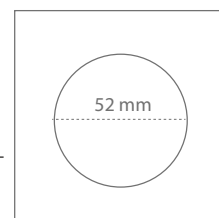
Application

- Marine light

Customized solution

- The front can be brushed or made in aluminum and coated in different colors.

MALOU-SS-SQ-OVAL
FRAME



82 mm

MALOU-SS-SQ-RECT
FRAME

