

Casolux Marine light

Marine light system

MARIA - A4 - Finger Touch on Center

GB

IP65



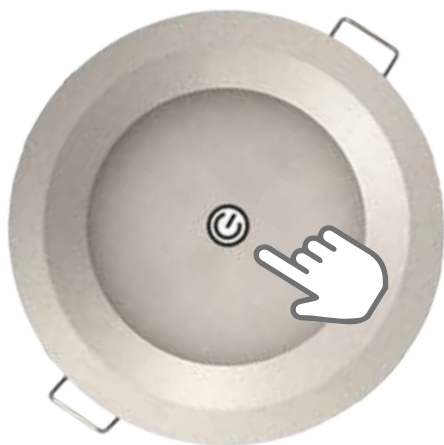
Power
2 w
3 W

Efficiency
85 Lm/w

Lifetime
50.000 Hours
(70% Lumen maintenance)

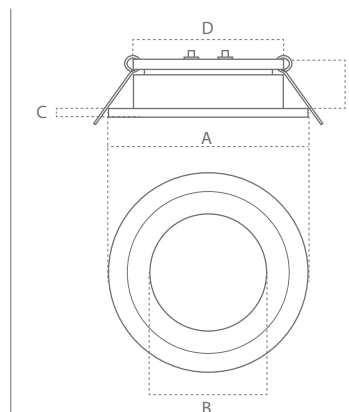
Input
10-32 VDC

Material
Stainless Steel
Aluminum



Model CTO = ON / OFF with finger touch on center of glass.

Model CTDI = ON / OFF / Dimming with finger touch on center of glass.



Small 2w

A: 69,5 mm
B: 40,5 mm
C: 3 mm
D: 52 mm
E: 19 mm

Large 3w

A: 86 mm
B: 55 mm
C: 3 mm
D: 70 mm
E: 19 mm



Stainless Steel (SS)



Grey (GR)

Product code	Front Colour/Quality	IP	Lumen	Beam	Power	Volt	CCT	CRI
MARIA-SS-A4-10-32V-3W-CTO (large)	SS	IP65	255	120°	3 W	10-32 V AC/DC	3000 K	> 85
MARIA-A4-GR-10-32V-2W-CTO (small)	AL GR	IP65	170	120°	2W	10-32 V AC/DC	3000 K	> 85
MARIA-A4-GR-10-32-2W-CTDI (small)	AL GR	IP65	170	120°	2W	10-32 V AC/DC	3000 K	> 85

Can be specially customized with White aluminum front frame. Contact Casolux for more information.



Feature

- IP65 design with integral thermal management for long life
- Anodized aluminium heatsink ensures corrosion free product in damp environment
- Model CTO = On / Off with finger touch on front frame. PWM Dimmable.
- Model CTDI = On / Off / Dimming with finger touch / hold on front frame.

Material

- SS: Stainless steel 316L
- AL GR: Aluminium Grey
- Opal lens-

Benefit

- High reliability
- Maintenance free

Application

- Marine light