

Casolux Marine light

Marine light system

MARIA - A4 - Finger Touch on Frame

GB

IP65



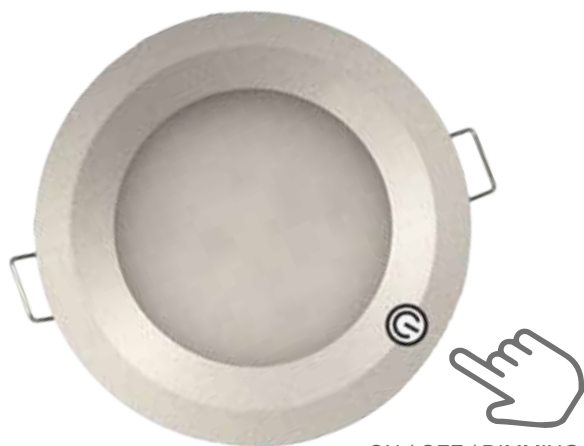
Power
2 w
3 W

Efficiency
85 Lm/w

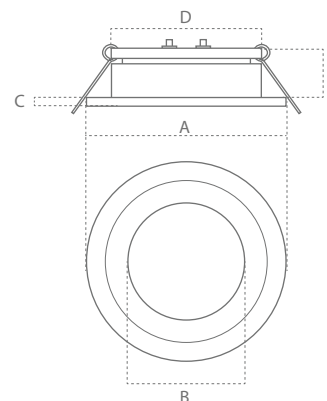
Lifetime
50.000 Hours
(70% Lumen maintenance)

Input
10-32 VDC

Material
Aluminum



ON / OFF / DIMMING with finger touch on front frame.



Small 2w

A: 69,5 mm
B: 40,5 mm
C: 3 mm
D: 52 mm
E: 19 mm

Large 3w

A: 86 mm
B: 55 mm
C: 3 mm
D: 70 mm
E: 19 mm



Grey (GR)



White (WH)

| Product code | Front Colour/Quality | IP | Lumen | Beam | Power | Volt | CCT | CRI |
|----------------------------------|----------------------|------|-------|------|-------|---------------|--------|------|
| MARIA-A4-GR-10-32V-2W-TO (small) | AL GR | IP65 | 170 | 120° | 2W | 10-32 V AC/DC | 3000 K | > 85 |
| MARIA-A4-GR-10-32V-3W-TO (large) | AL GR | IP65 | 255 | 120° | 3W | 10-32 V AC/DC | 3000 K | > 85 |
| MARIA-A4-WH-10-32V-2W-TO (small) | AL WH | IP65 | 170 | 120° | 2W | 10-32 V AC/DC | 3000 K | > 85 |
| MARIA-A4-WH-10-32V-3W-TO (large) | AL WH | IP65 | 255 | 120° | 3W | 10-32 V AC/DC | 3000 K | > 85 |

Can be specially customized with SS316L front frame. Contact Casolux for more information.



Feature

- IP65 design with integral thermal management for long life
- Anodized aluminium heatsink ensures corrosion free product in damp environment
- On / Off / Dimming with finger touch on front frame.

Material

- AL GR: Aluminum Grey
- AL WH: Aluminum White
- Opal lens

Benefit

- High reliability
- Maintenance free

Application

- Marine light