

IP65



Power
2 -3 W

Efficiency
85 Lm/w

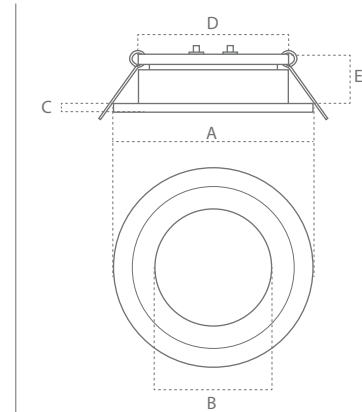
Lifetime
50.000 Hours
(70% Lumen maintenance)

Input
10-32 VDC

Material
Stainless steel
Aluminum



Stainless Steel (SS)



Small 2w

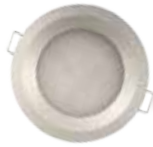
A: 69 mm
B: 40,5 mm
C: 3 mm
D: 52 mm
E: 19 mm

Big 3w

A: 86 mm
B: 55 mm
C: 3 mm
D: 70 mm
E: 19 mm



Stainless steel (SS)



Grey (GR)



Hvid (WH)

Product code	Front Colour/Quality	IP	Lumen	Beam	Power	Volt	CCT	CRI
MARIA-SS-A4-10-32V-2W (small)	SS	IP65	170	120°	2 W	10-32 V AC/DC	3000 K	> 85
MARIA-SS-A4-10-32V-3W (large)	SS	IP65	255	120°	3 W	10-32 V AC/DC	3000 K	> 85
MARIA-A4-GR-10-32V-2W (small)	AL GR	IP65	170	120°	2W	10-32 V AC/DC	3000 K	> 85
MARIA-A4-GR-10-32V-3W (large)	AL GR	IP65	255	120°	3W	10-32 V AC/DC	3000 K	> 85
MARIA-A4-WH-10-32V-2W (small)	AL WH	IP65	170	120°	2W	10-32 V AC/DC	3000 K	> 85
MARIA-A4-WH-10-32V-3W (large)	AL WH	IP65	255	120°	3W	10-32 V AC/DC	3000 K	> 85

Feature

- IP65 design with integral thermal management for long life
- High precision machining ensures perfect mechanical fit for long life
- Anodized aluminium heatsink ensures corrosion free product in damp environment
- PWM-dimmable

Material

- SS: Stainless steel
- Grey and White: Aluminium
- Opal lens

Benefit

- High reliability
- Maintenance free

Application

- Marine light