

MARY UP/DOWN

GB

IP44



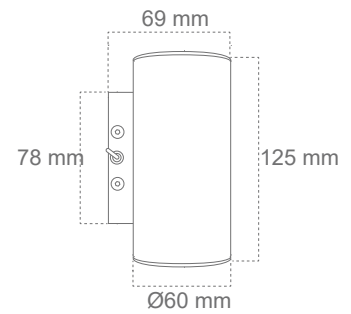
Power
2x3 w

Efficiency
83 Lm/w

Lifetime
50.000 Hours
(70% Lumen maintenance)

Input
10-30 VDC

Material
Aluminium



Product code	Lumen output	Beam	Power	CCT	CRI	LED brand
MARY-AL-BL-UP-DOWN	2x 250 lm	60°	2x3 w	3000 K	> 85	CREE

Feature

- IP44 design with integral thermal management for long life
- High precision machining ensures perfect mechanical fit for long life
- Anodized aluminium heatsink ensures corrosion free in damp environment

Material

- Anodized aluminium

Benefit

- High reliability
- Maintenance free

Application

- Marine light