

Casolux Marine light

Marine light system

MATHILDE

GB

IP65



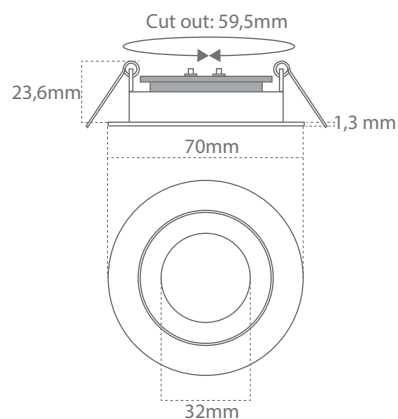
Power
2,4 w

Efficiency
58 Lm/w

Lifetime
50.000 Hours
(70% Lumen maintenance)

Input
10-30 VDC

Material
Stainless steel



Product code	Lumen output	Beam	Power	CCT	CRI
MATHILDE-SS	140 lm	100°	2,4 w	3000 K	> 80

Feature

- IP65 design with integral thermal management for long life
- High precision machining ensures perfect mechanical fit for long life
- Stainless steel ensures corrosion free product in damp environment

Material

- Front: Stainless steel 316L
- Base: Aluminum

Benefit

- High reliability
- Maintenance free

Application

- Marine light