

# Casolux Marine light

Marine light system

MARIA - A1

GB

IP54  
IP65



Power  
2 -3,6 W

Efficiency  
85 Lm/w

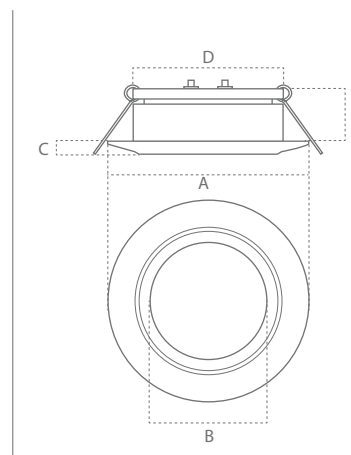
Lifetime  
50.000 Hours  
(70% Lumen maintenance)

Input  
10-18 VDC  
20-28 VDC  
10-32 VDC

Material  
Stainless steel  
Aluminum



Stainless Steel (SS)



**Small 2w**

- A: 69,5 mm
- B: 40,5 mm
- C: 4,5 mm
- D: 52 mm
- E: 19 mm

**Big 3w**

- A: 86 mm
- B: 55 mm
- C: 4,5 mm
- D: 70 mm
- E: 19 mm



Stainless steel (SS)



Grey (GR)



Hvid (WH)

Product code	Front Colour/Quality	IP	Lumen	Beam	Power	Volt	CCT	CRI
MARIA-SS-A1-SMALL-10-32V	SS	IP65	204	120°	2,4 W	10-32 VDC	3000 K	> 80
MARIA-SS-A1-LARGE-10-32V	SS	IP65	306	120°	3,6 W	10-32 VDC	3000 K	> 80

**Can be custom made:**

MARIA-A1-SMALL	SS / GR / WH	IP54	204	120°	2,4 W	10-32 VDC	3000 K	> 80
MARIA-A1-SMALL	SS / GR / WH	IP54	170	120°	2 W	10-18 VDC	3000 K	> 80
MARIA-A1-LARGE	SS / GR / WH	IP54	306	120°	3,6 W	10-32 VDC	3000 K	> 80

**Feature**

- IP54 / IP65 design with integral thermal management for long life
- High precision machining ensures perfect mechanical fit for long life
- Anodized aluminium heatsink ensures corrosion free product in damp environment
- PWM-dimmable

**Material**

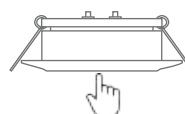
- SS: Stainless steel
- Grey and White: Aluminium
- Opal lens

**Benefit**

- High reliability
- Maintenance free

**Customized solution**

- Can be custom made with touch switch



Can be made with touch switch (TO) IP40

**Application**

- Marine light