

Casolux Marine light

Marine light system

MARIA - A3

GB

IP54
IP65



Power
2 -3,6 W

Efficiency
85 Lm/w

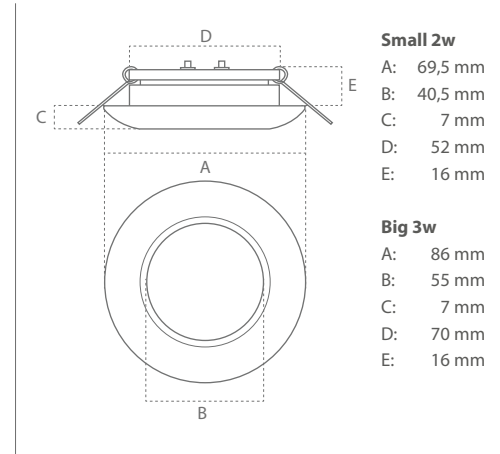
Lifetime
50.000 Hours
(70% Lumen maintenance)

Input
10-18 VDC
20-28 VDC
10-32 VDC

Material
Stainless steel
Aluminum



Stainless Steel (SS)



Stainless steel (SS)



Grey (GR)



Hvid (WH)

Product code	Front Colour/Quality	IP	Lumen	Beam	Power	Volt	CCT	CRI
MARIA-SS-A3-SMALL-10-32V	SS	IP65	204	120°	2,4 W	10-32 VDC	3000 K	> 80
MARIA-SS-A3-LARGE-10-32V	SS	IP65	306	120°	3,6 W	10-32 VDC	3000 K	> 80

Can be custom made:

MARIA-A3-SMALL	SS / GR / WH	IP54	204	120°	2,4 W	10-32 VDC	3000 K	> 80
MARIA-A3-SMALL	SS / GR / WH	IP54	170	120°	2 W	10-18 VDC	3000 K	> 80
MARIA-A3-LARGE	SS / GR / WH	IP54	306	120°	3,6 W	10-32 VDC	3000 K	> 80

Feature

- IP54 / IP65 design with integral thermal management for long life
- High precision machining ensures perfect mechanical fit for long life
- Anodized aluminium heatsink ensures corrosion free product in damp environment
- PWM-dimmable

Material

- SS: Stainless steel
- Grey and White: Aluminium
- Opal lens

Benefit

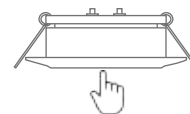
- High reliability
- Maintenance free

Customized solution

- Can be custom made with touch switch

Application

- Marine light



Can be made with touch switch (TO) IP40