

Casolux Marine light

Marine light system

RIKKE DOWNLIGHT

GB

IP65



Power
1,3 - 1,5 w

Efficiency
70 Lm/w

Lifetime
50.000 Hours
(70% Lumen maintenance)

Input
10-30 V AC/DC

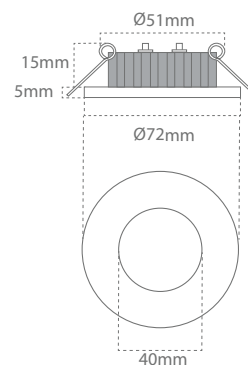
Material
Plastic



RIKKE CHROME (CH)



RIKKE WHITE (WH)



Mounted with
springs or screws

Product code	PWM Dimmable	Lumen output	Beam	Power	CCT	CRI
RIKKE-CH-1,3W-10-32V AC/DC-WW	NO	91 lm	90°	1,3W	3000K	> 85
RIKKE-WH-1,3W-10-32V AC/DC-WW	NO	91 lm	90°	1,3W	3000K	> 85
RIKKE-CH-1,5W-10-32V AC/DC-WW	YES	105 lm	90°	1,5W	3000K	> 85
RIKKE-CH-1,5W-10-32V AC/DC-WW	YES	105 lm	90°	1,5W	3000K	> 85
RIKKE-CH-1,5W-10-32V AC/DC-RED	YES		90°	1,5W	RØD	

Feature

- IP65 design with integral thermal management for long life.
- With bridge rectifier circuit.
- 15 cm long cable with Molex cable connector and pins.
- Mounted with springs or screws.

Material

- Plastic body
- White or Chrome plated front frame
- Frosted lens

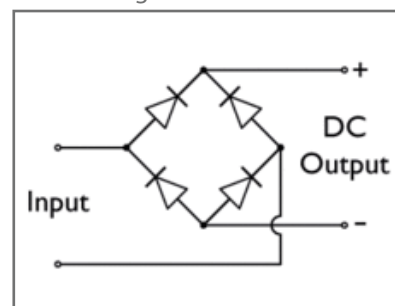
Benefit

- High reliability
- Maintenance free

Application

- Marine and Autocamp light

Bridge rectifier circuit



Cabel connector

