

Casolux Marine light

Marine light system

MARIA - A1

GB

IP65



Power
2 - 3 W

Efficiency
58-68 Lm/w

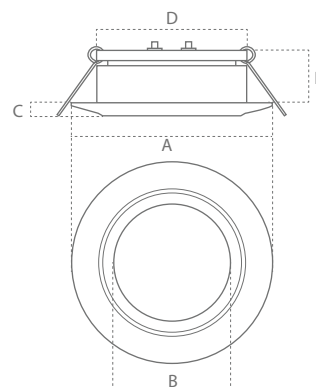
Lifetime
50.000 Hours
(70% Lumen maintenance)

Input
10-32 V AC/DC

Material
Stainless steel
Aluminum



Stainless Steel (SS)



mm	SMALL	LARGE
A	69,5	86
B	40,5	55
C	4,5	4,5
D	52	70
E	19	19



Stainless Steel (SS)



Black (BL)



White (WH)



Grey (GR)

Product code	Front Colour/Quality	IP	Lumen	Beam	Power	Volt	CCT	CRI
MARIA-A1-SMALL-2W	SS / BL / GR / WH	IP65	116	120°	2 W	10-32 V AC/DC	3000 K	> 85
MARIA-A1-SMALL-2,5W	SS / BL / GR / WH	IP65	137	120°	2,5 W	10-32 V AC/DC	3000 K	> 85
MARIA-A1-LARGE-3W	SS / BL / GR / WH	IP65	205	120°	3 W	10-32 V AC/DC	3000 K	> 85

Feature

- IP65 design with integral thermal management for long life
- High precision machining ensures perfect mechanical fit for long life
- Anodized aluminium heatsink ensures corrosion free product in damp environment
- Dimmable with external PWM

Material

- SS: Stainless steel (SS316L)
- Grey, White and Black: Aluminium
- Opal lens

Benefit

- High reliability
- Maintenance free

Customized solution

- Can be custom made with touch switch

Application

- Marine light

Center Touch (CTO)

