

Casolux Marine light

Marine light system

MARIA - A4

GB

IP65



Power
2 - 3 W

Efficiency
58-68 Lm/w

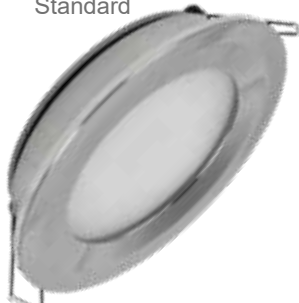
Lifetime
50.000 Hours
(70% Lumen maintenance)

Input
10-32 V AC / DC

Material
Stainless steel
Aluminum

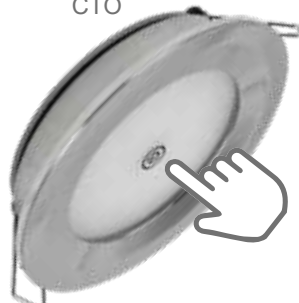


Standard



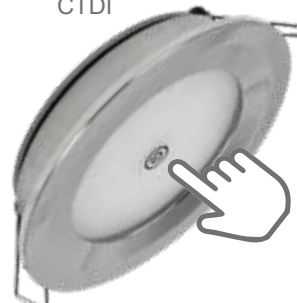
Model: Standard
ON / OFF with external switch. Dimmable with external PWM.

CTO

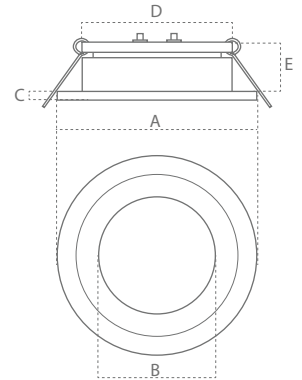


Model: CTO *News*
ON / OFF touch on center of glass. Dimmable with external PWM.

CTDI



Model: CTDI *News*
ON / OFF touch, hold for dimming. Dimming function remember last setting.



mm	SMALL	MEDIUM <i>News</i>	LARGE
A	69,5	82	86
B	40,5	50	55
C	3	3	3
D	52	62	70
E	19	19	19



Rustfrit stål (SS)



Børstet rustfrit stål (SS-BR)



Sort Aluminium (BL)



Hvid Aluminium (WH)



Grå Aluminium (GR)

Product code	Front Colour/Quality	IP	Lumen	Beam	Power	Volt	CCT	CRI
MARIA-A4-SMALL-2W	SS / SS-BR / BL / WH / GR	IP65	116	120°	2 W	10-32 V AC/DC	3000 K	> 85
MARIA-A4-SMALL-2W+0,5W <i>News</i>	SS / SS-BR / BL / WH / GR	IP65	116	120°	2W + 0,5W	10-32 V AC/DC	3000 K + RED	> 85
MARIA-A4-SMALL-2,5W	SS / SS-BR / BL / WH / GR	IP65	137	120°	2,5 W	10-32 V AC/DC	3000 K	> 85
MARIA-A4-MEDIUM-2,5W <i>News</i>	BL / WH / GR	IP65	152	120°	2,5 W	10-32 V AC/DC	3000 K	> 85
MARIA-A4-LARGE-3W	SS / SS-BR / BL / WH / GR	IP65	205	120°	3 W	10-32 V AC/DC	3000 K	> 85
MARIA-A4-LARGE-3W+0,5W <i>News</i>	SS / SS-BR / BL / WH / GR	IP65	205	120°	3W + 0,5W	10-32 V AC/DC	3000 K + RED	> 85
MARIA-A4-SMALL-2W-CTO <i>News</i>	SS / SS-BR / BL / WH / GR	IP65	116	120°	2 W	10-32 V AC/DC	3000 K	> 85
MARIA-A4-LARGE-3W-CTO <i>News</i>	SS / SS-BR / BL / WH / GR	IP65	205	120°	3 W	10-32 V AC/DC	3000 K	> 85
MARIA-A4-SMALL-2W-CTDI <i>News</i>	SS / SS-BR / BL / WH / GR	IP65	116	120°	2 W	10-32 V AC/DC	3000 K	> 85
MARIA-A4-SMALL-2,5W-CTDI <i>News</i>	SS / SS-BR / BL / WH / GR	IP65	137	120°	2,5 W	10-32 V AC/DC	3000 K	> 85

Feature

- IP65 design with integral thermal management for long life
- High precision machining ensures perfect mechanical fit for long life
- Anodized aluminium heatsink ensures corrosion free product in damp environment
- Standard and CTO (Center Touch) models are dimmable with external PWM
- CTDI (Center Touch Memory Dim) model has internal dimming function that remember the last setting

Material

- SS: Stainless steel (SS316L)
- Grey, White and Black Aluminium
- Opal lens

Benefit

- High reliability
- Maintenance free

Customized solution

- Can be custom made with Square front frame

Application

- Marine light

